

PIU Geometric Glass, sliding ceiling system. The system of the guide rail 2S. Complete glass door leaf in an aluminium frame finished in several shades: brushed dark brown, brushed black or lacquered in accordance with RAL colour chart. Glass in different shades, i.e. optiwhite, graphite, brown. A modern and functional sliding doors solution, with no need of bottom track, that opens spaces. Dampened closure silent system is an additional advantage. Open space without dividing into another spaces. Aluminium door leaf automatically and slightly sliding along the rail, giving the possibility of using transparent, dimmed, structural glass with profile partitions, highlighting minimalism and modernity of interior arrangement.



PIU DOOR SYSTEM

Sliding system, ceiling or wall-mounted, with a glass door in an aluminium frame finished in natural anodized, bright brushed steel, brushed dark brown, brushed black or lacquered in accordance with RAL colour chart, covered with prefabricated sheets of materials with a maximum thickness of 5,5-6mm

APPLICATION

Inner sliding door

SIZE

Height: normally up to 300cm
Width: min. 80 cm, max. 140 cm

GUIDE RAIL

The guide rail mounted into the ceiling or to the wall

TYPE OF OPENING

Sliding, ceiling, with a handrail

FRAME CONSTRUCTION

Aluminium doorleaf frame, glass

DOOR-LEAF THICKNESS

44 mm , high door stability

GLASS THICKNESS

6 mm

WALL & LEAF GAP

Distance between wall and doorleaf – 20mm

ALUMINIUM STRUCTURES

brushed dark brown, brushed black or lacquered in accordance with RAL colour chart

GLASS COLOURS

Optiwhite, float, brown, graphite, black

COUNTRY OF ORIGIN

Poland

MANUFACTURER

PIU Design Sp. z o.o.

Fig. 1 – PIU Geometric Glass. Vertical projection. Sliding system position relative to the wall.

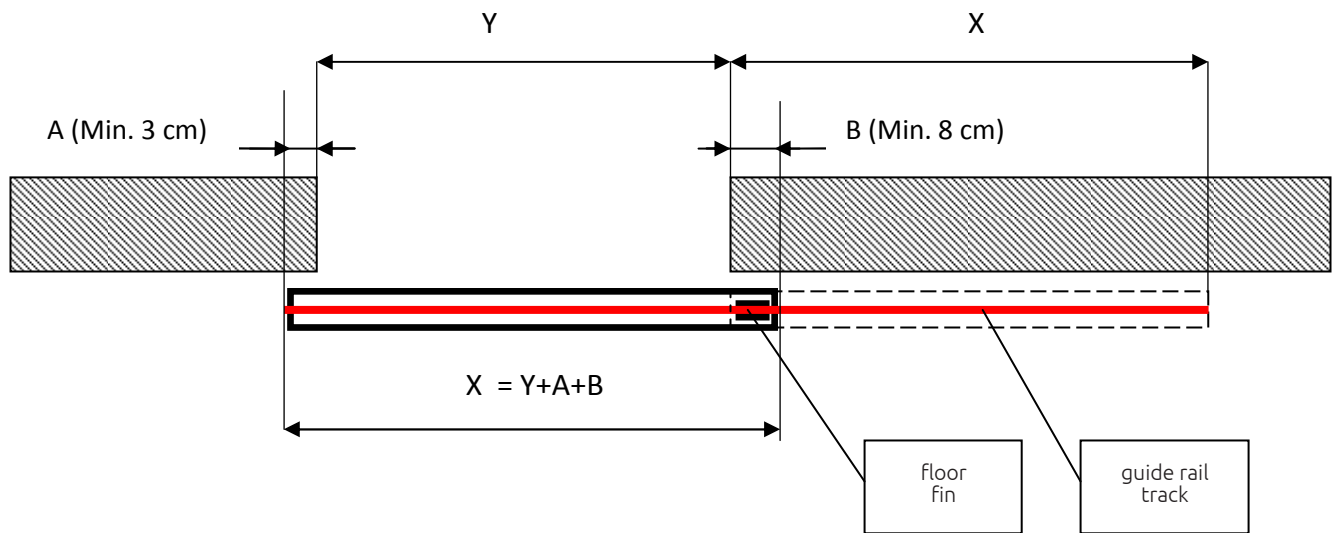


Fig. 2 – PIU Geometric Glass. Front projection with ceiling cross-section

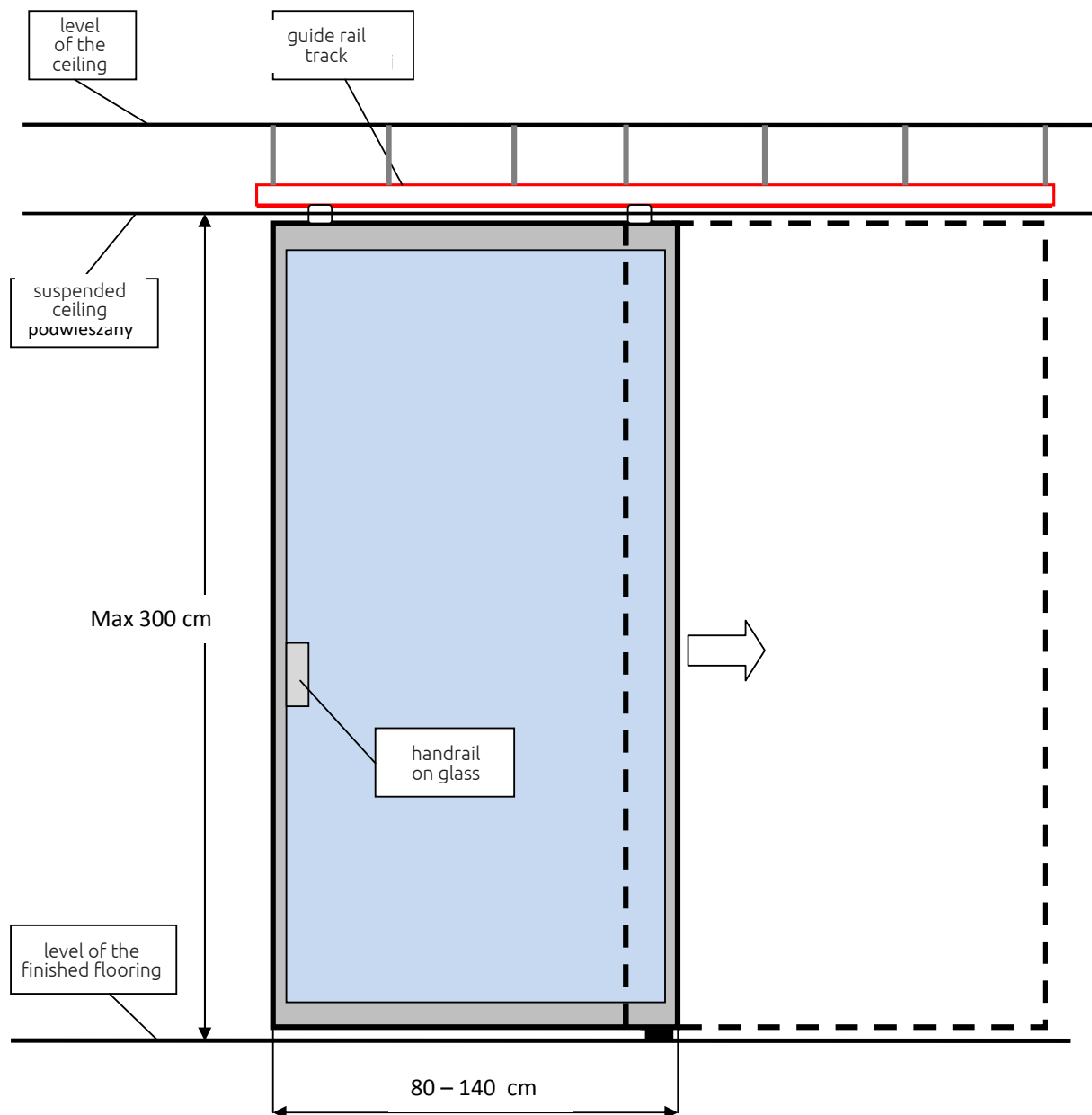


Fig. 3 – PIU Geometric Glas. Guide rail size

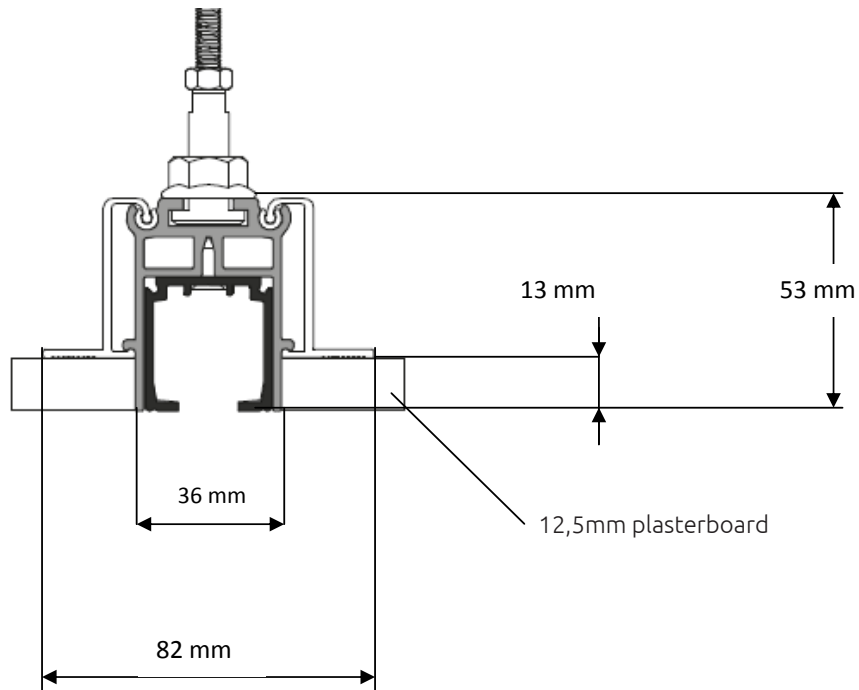


Fig. 4 – PIU Geometric Alu. Guide rail and door leaf position relative to the wall.

