

**PIU Geometric Alu**, sliding ceiling system. The system of the guide rail 2S. Complete aluminium door leaf finished in several shades: brushed dark brown, brushed black or lacquered in accordance with RAL colour chart, covered with prefabricated sheets of materials with a maximum thickness of 5,5-6mm. A modern and functional sliding doors solution, with no need of bottom track, that opens spaces. Dampened closure silent system is an additional advantage. Open space without dividing into another spaces. Aluminium door leaf construction gives the possibility of finishing with deifferent materials. Handle hidden within door leaf construction is an elegant detail. Different division of fixed and sliding elements, that can be matched individually for the interior arrangement.



**PIU DOOR SYSTEM**

Sliding system, ceiling or wall-mounted, with a glass door in an aluminium frame finished in natural anodized, bright brushed steel, brushed dark brown, brushed black or lacquered in accordance with RAL colour chart, covered with prefabricated sheets of materials with a maximum thickness of 5,5-6mm

**APPLICATION**

Inner sliding door

**SIZE**

Height: normally up to 300cm  
Width: min. 80 cm, max. 140 cm

**GUIDE RAIL**

The guide rail mounted into the ceiling or to the wall

**TYPE OF OPENING**

Sliding, ceiling, with a handrail on side / front / back

**FRAME CONSTRUCTION**

Aluminium doorleaf anodized, brushed or lacquered aluminium in accordance with the RAL colour chart; filled with XPS; covered with prefabricated sheets of materials with a maximum thickness of 5,5-6mm

**DOOR-LEAF THICKNESS**

34 mm, high door stability

**WALL & LEAF GAP**

Distance between wall and doorleaf – 24mm

**ALUMINIUM STRUCTURES**

Natural anodized, bright brushed steel, brushed dark brown, brushed black or lacquered in accordance with RAL colour chart

**DOOR-LEAF FINISHING MATERIALS**

Over 600 finishing materials: acrylic panels, lacquered panels (with polyurethane topcoat in matte with 25-30 glosses, or in gloss with 80-90 glosses, veneered, architectural concrete, Lacobel glass and others

**COUNTRY OF ORIGIN**

Poland

**MANUFACTURER**

PIU Design Sp. z o.o.

Fig. 1 – PIU Geometric Alu. Vertical projection. Sliding system position relative to the wall.

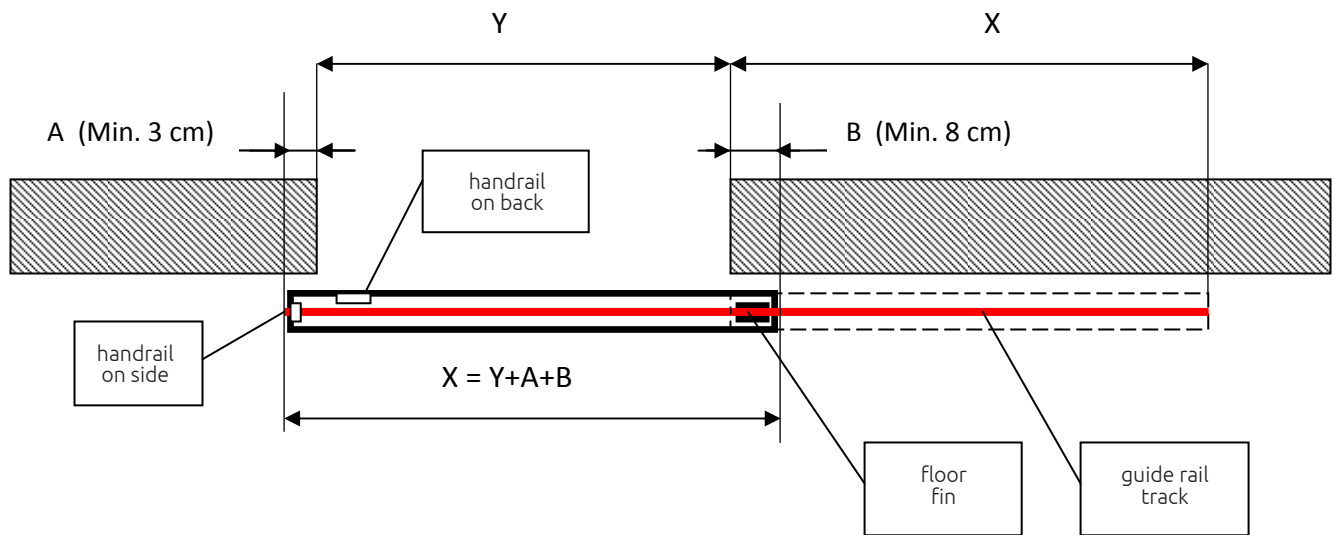


Fig. 2 – PIU Geometric Alu. Front projection with ceiling cross-section

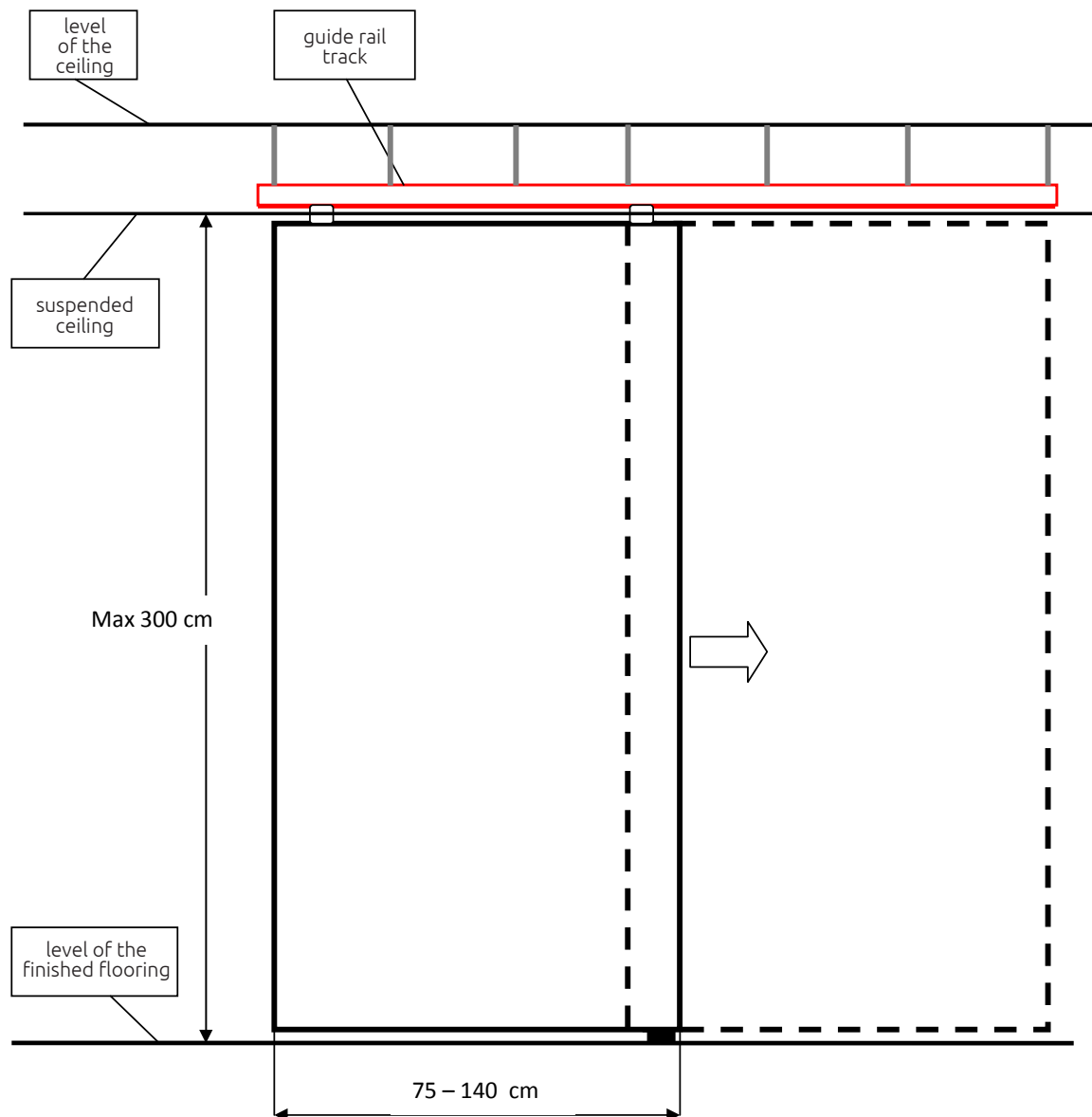


Fig. 3 – PIU Geometric Alu. Guide rail size

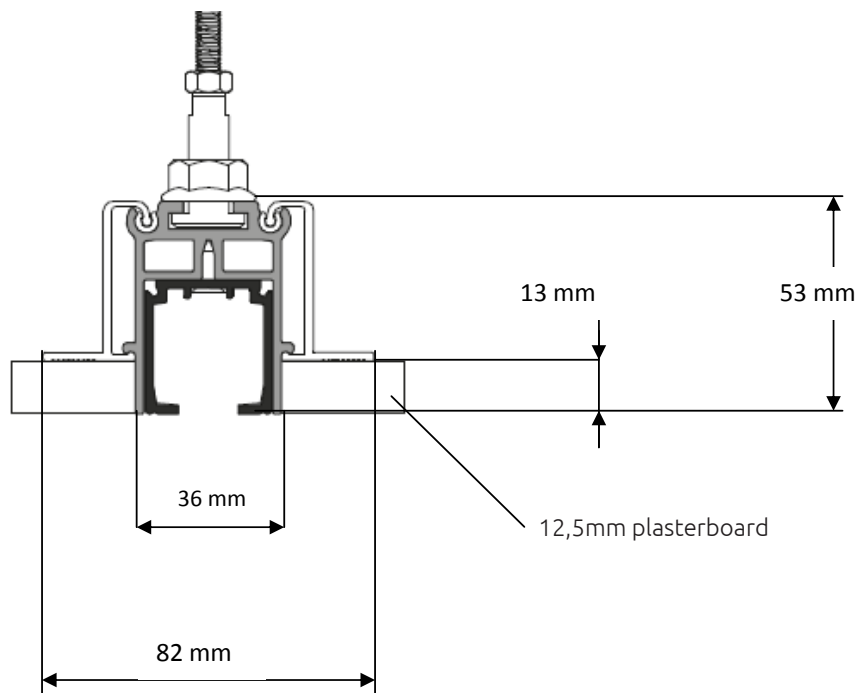


Fig. 4 – PIU Geometric Alu. Guide rail and door leaf position relative to the wall.

