

Chart 1 – FRAME HEIGHT CHART – model 5.0

TYPE A – opening inwards and TYPE B – opening outwards

STANDARD HEIGHT (cm) A i B	FRAME OPENING HEIGHT Ha (cm)		FRAME TOTAL HEIGHT Hb (cm)		HOLE IN THE WALL Hc (cm)	
	A	B	A	B	A	B
202 cm	202	200,8	206,4	205,2	207,5	206,5
206 cm	206	204,8	210,4	209,2	211,5	210,5
210 cm	210	208,8	214,4	213,2	215,5	214,5
220 cm	220	218,8	224,4	223,2	225,5	224,5
230 cm	230	228,8	234,4	233,2	235,5	234,5
240 cm	240	238,8	244,4	243,2	245,5	244,5
250 cm	250	248,8	254,4	253,2	255,5	254,5
260 cm	260	258,8	264,4	263,2	265,5	264,5
270 cm	270	268,8	274,4	273,2	275,5	274,5
280 cm	280	278,8	284,4	283,2	285,5	284,5
290 cm	290	288,8	294,4	293,2	295,5	294,5

* Other heights on individual request

Chart 2 – FRAME WIDTH CHART – model 5.0

TYPE A – opening inwards and TYPE B – opening outwards

STANDARD WIDTH (cm)	FRAME OPENING WIDTH (cm)	FRAME TOTAL WIDTH (cm)	HOLE IN THE WALL (cm)	
			BRICK WALL	PLASTERED WALL
	Sa	Sb	Sc	Sc
70 cm	70	78,7	82	81
80 cm	80	88,7	92	91
90 cm	90	98,7	102	101
94 cm (90+)	94	102,7	106	105
100 cm	100	108,7	112	111

Opening width TYPE A and TYPE B, with the door opened at 90° width is decreases by 4 cm due to the thickness of the door leaf. If there is a need investment width of 90+ cm should be chosen.

* Other widths on individual request

Fig. 1 – SCHEME OF FRAME HEIGHT DIFFERENCE TYPE A AND TYPE B

In order of having the same visible door height on the flushing with the wall side, with different opening direction doors, opening height and the frame is lower by 12 mm with the door opening outwards (TYPE B)

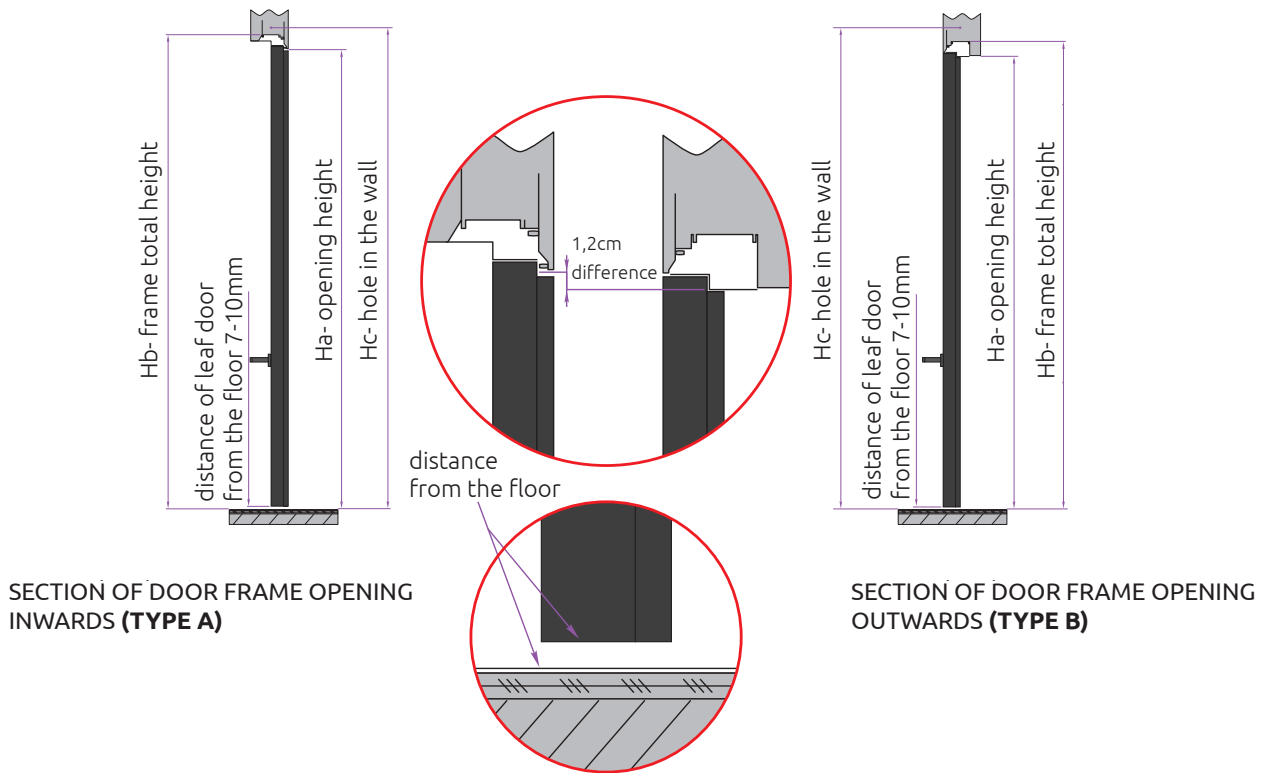


Fig. 2 – SECTION OF DOOR FRAME OPENING INWARDS (type A)

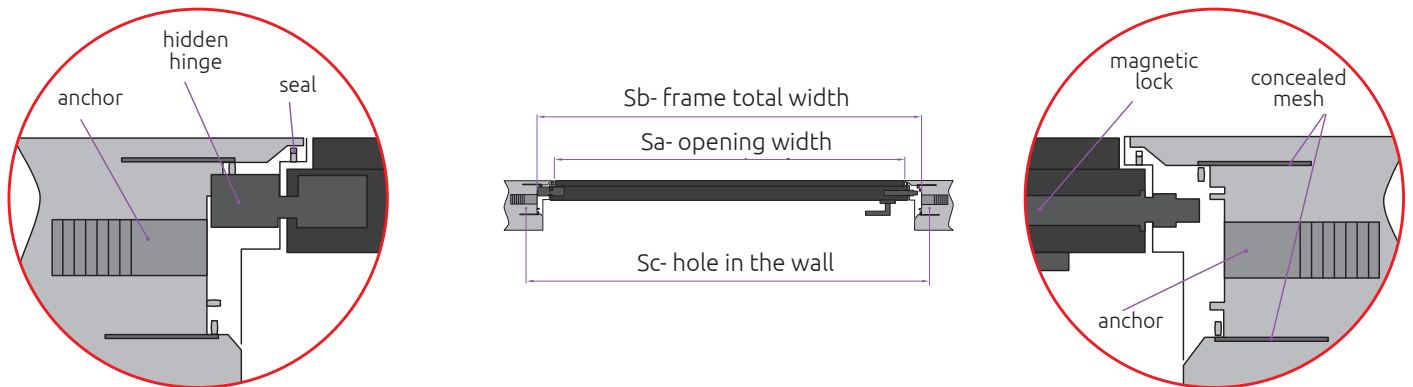


Fig. 3 – SECTION OF DOOR FRAME OPENING OUTWARDS (type B)

